

Cleaner Box

50/76 mm dia. duct flange for **EC-Bseries**

EC-BD50/76

Thank you for purchasing this Panasonic product. Before using this product, be sure to read these Installation Instructions carefully in order to ensure optimum performance during use. Keep these Installation Instructions in a safe place for later reference.

1 OUTLINE

- This product is a duct flange for use with the **EC-Bseries** cleaner box.
- The duct flange can be connected to an air exhaust duct hose.

2 INSTALLATION

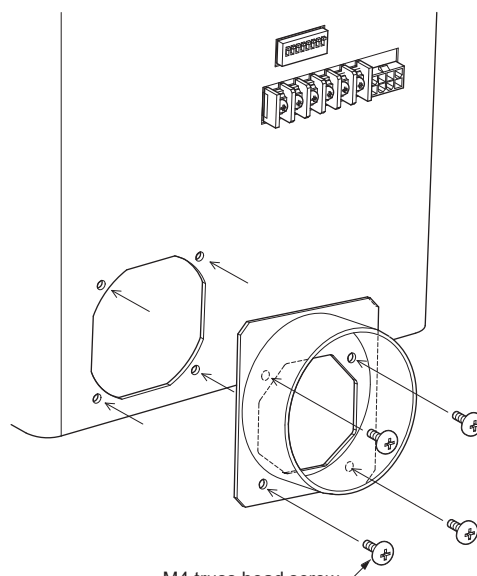
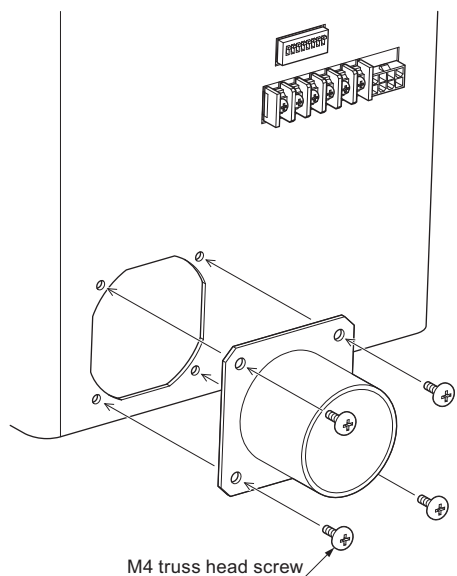
- 1 Remove the finger guard, and then install the duct flange as shown in the illustration below.
- 2 Connect the duct flange and the air exhaust duct hose.

CAUTION

Be sure to turn off the power for the dust collector before carrying out any installation work for the duct flange and the air exhaust duct hose.

EC-BD50

EC-BD76

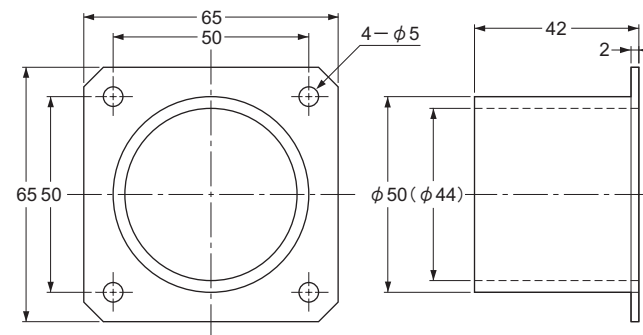


※ tightening torque 1.2N·m or less

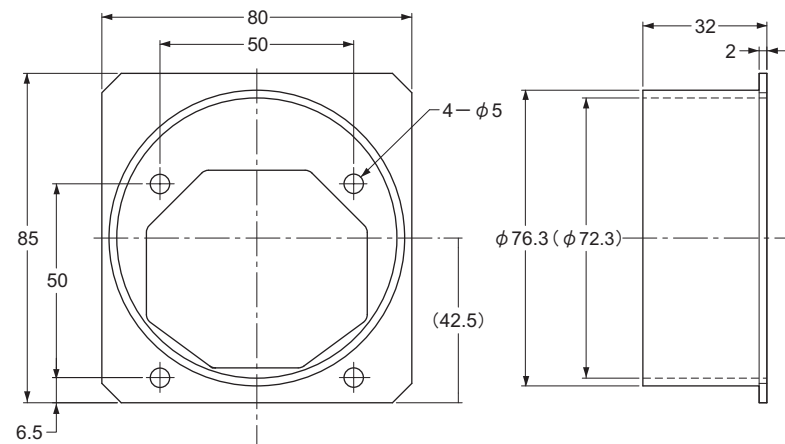
※ tightening torque 1.2N·m or less

3 EXTERNAL DIMENSION DIAGRAM

EC-BD50



EC-BD76



Panasonic Industrial Devices SUNX Co., Ltd.

<http://panasonic.net/id/pidsx/global>

Overseas Sales Division (Head Office)
 2431-1 Ushiyama-cho, Kasugai-shi, Aichi, 486-0901, Japan
 Phone: +81-568-33-7861 FAX: +81-568-33-8591

About our sale network, please visit our website.

PRINTED IN JAPAN

© Panasonic Industrial Devices SUNX Co., Ltd. 2012